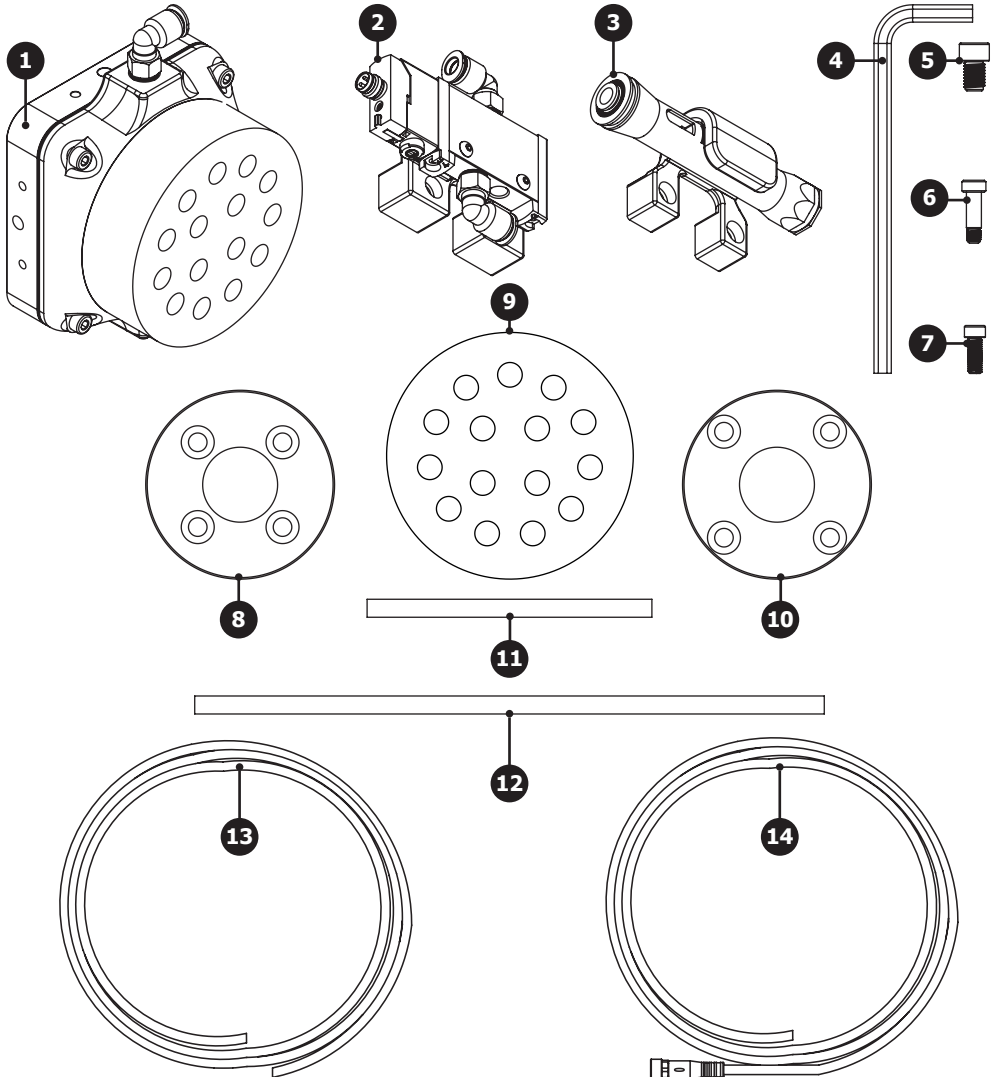


# Active Foam Gripper Kit

## Getting Started Guide

Active Foam Gripper Kit

# Box Contents



**1.** Vacuum Tool

**2.** Solenoid & Mounting Bracket

**3.** Vacuum Generator & Mounting Bracket

**4.** 3x Allen Keys

**5.** 4x M6 Bolts

**6.** 4x Shoulder Bolts

**7.** 4x M4 Fixing Bolts

**8.** ISO 40 Mounting Plate

**9.** Spare Foam

**10.** ISO 50 Mounting Plate

**11.** Vacuum Generator Tube

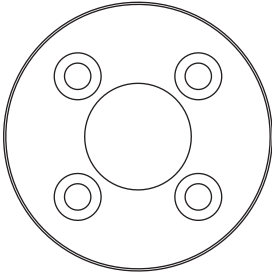
**12.** Solenoid Pneumatic Tube

**13.** Solenoid Pneumatic Tubing

**14.** Solenoid Cable

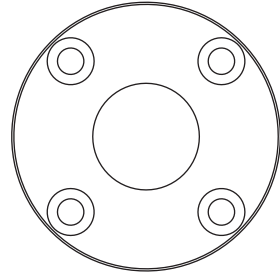
# Mounting Plate Assembly

1. Select your mounting plate and fix to the robot using M6 bolts provided.



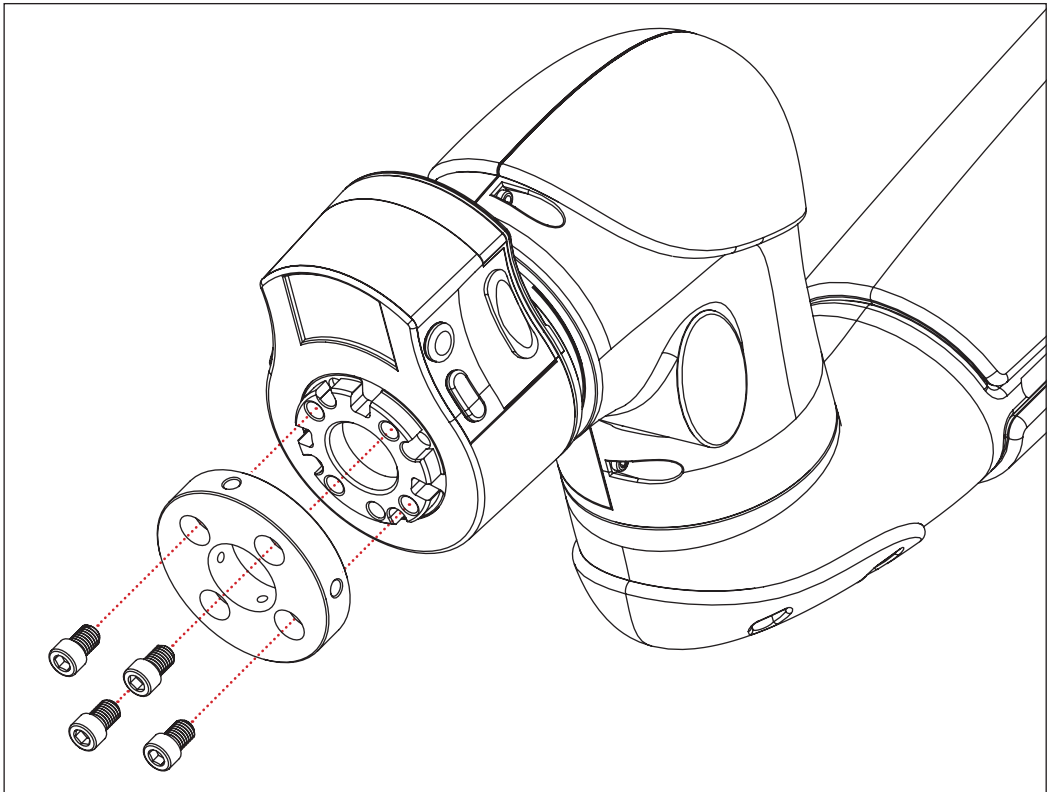
## ISO 40 Mounting Plate

Suitable for Rethink Robotics' Sawyer, ABB Robots using ISO 9409-1-40-4-M6 compatible mounting plate.



## ISO 50 Mounting Plate

Kuka iiwa, Universal Robots UR3, UR5 and UR10 using ISO 9409-1-50-4-M6 compatible mounting plate.

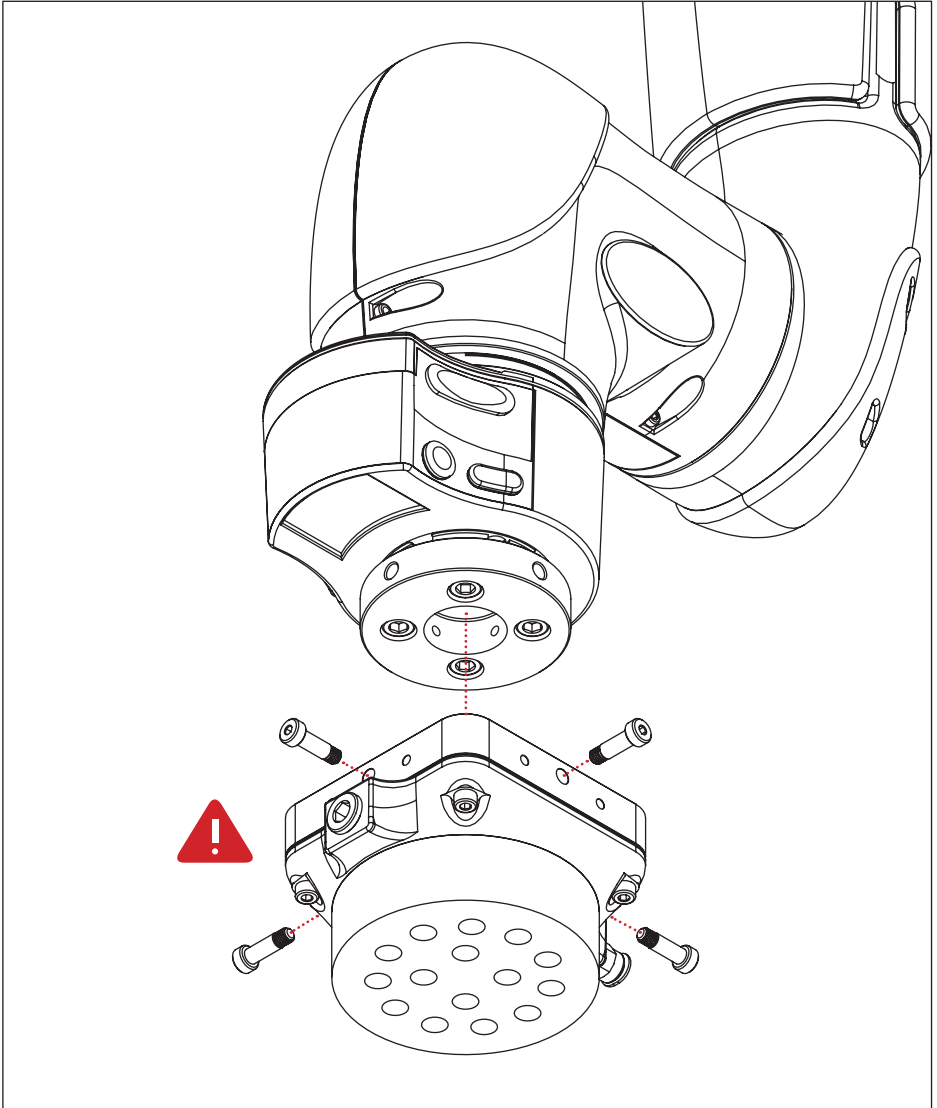


## Install Vacuum Tool

2. Install the vacuum tool on the robot using 4x shoulder bolts.

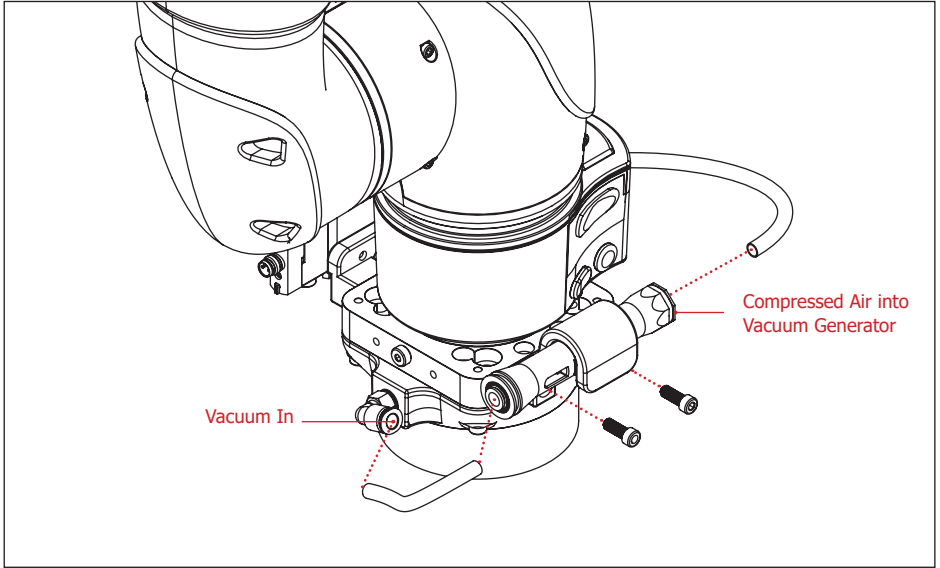


**Fit all 4x shoulder bolts loosely to align the holes before final tightening.**

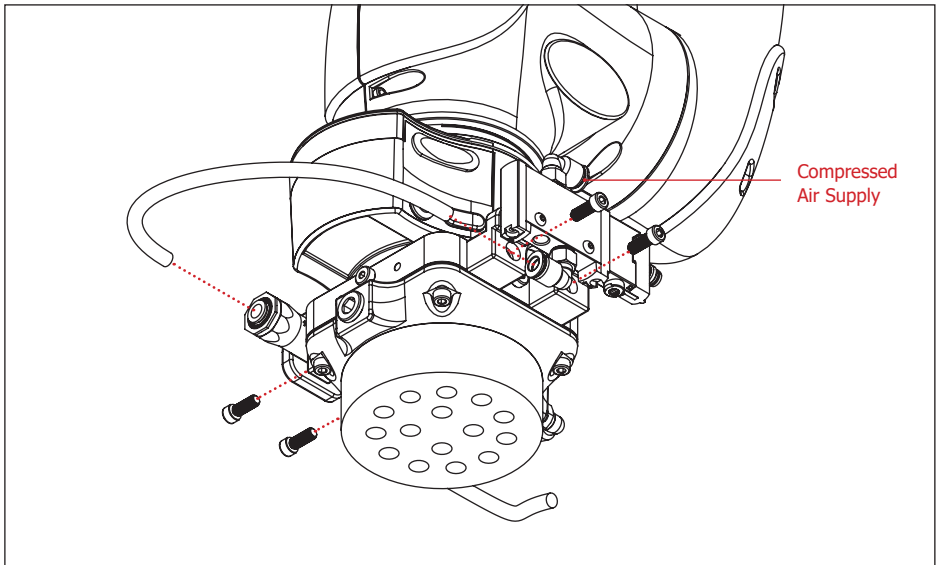


## Assemble Solenoid and Vacuum Generator

**3A.** Install the vacuum generator using 2x M4 fixing bolts.

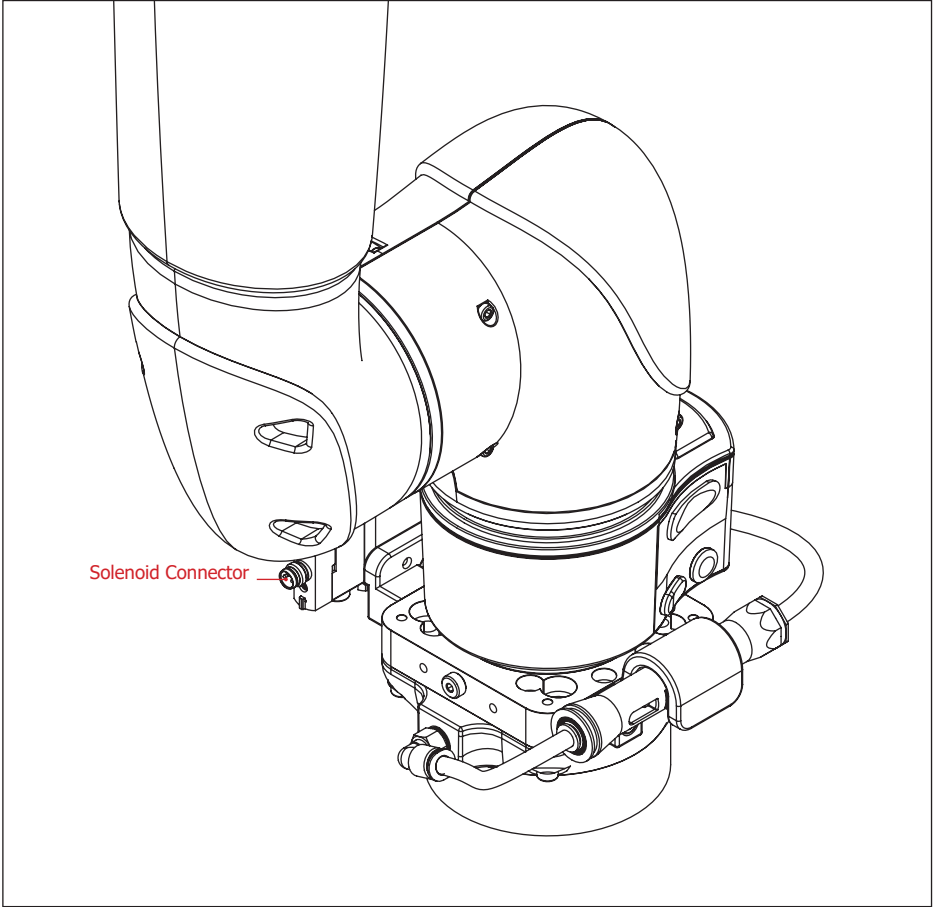


**3B.** Install the solenoid using x2 M4 fixing bolts and then assemble the piping.



## Attach the Solenoid Cable

4. Attach the solenoid cable, refer to the wiring below.



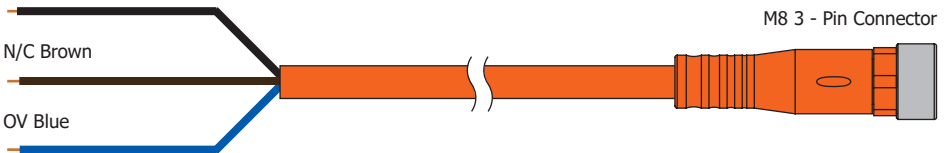
### Solenoid Cable Specification

24V Black

N/C Brown

OV Blue

M8 3 - Pin Connector



# Technical Specification

## Active Foam Gripper

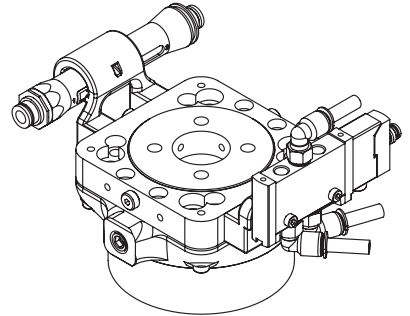
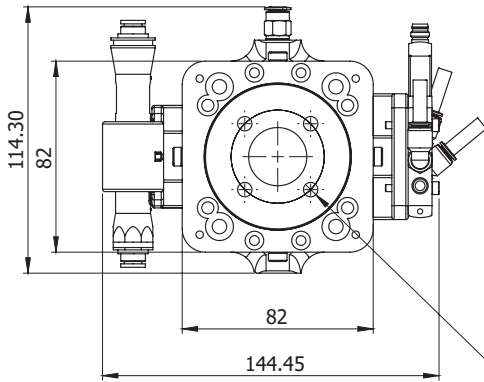
**Tool Weight:** 420g

**Infeed Pressure Range:** 5-7-bar

**Holding Force:** Up to 8kg payload max for non-porus surfaces like steel (no factor of safety)

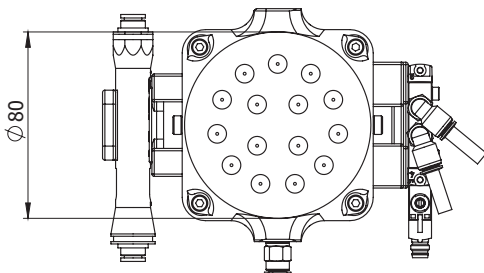
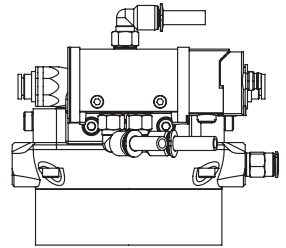
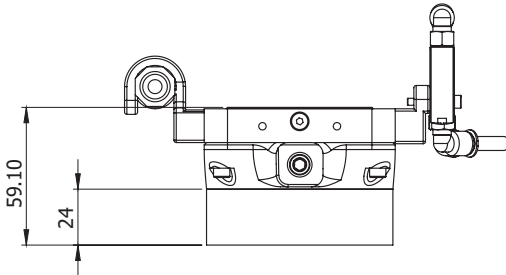
*Porus surfaces like cardboard will have reduced holding force*

Feed pressure	Air consumption	Vacuum flow (NI/s) at different vacuum levels (-kPa)										Max vacuum
		0	10	20	30	40	50	60	70	80	90	
MPa	NI/s	0	10	20	30	40	50	60	70	80	90	-kPa
0.5	0.46	0.46	0.62	0.5	0.27	0.19	0.19	0.11	0.07	0.045	0.011	94



### SUPPORTED ROBOT BOLT PATTERNS

1. ISO 9409-1-40-4-M6 (40MM PCD WITH 4XM6 THREADS)
2. ISO 9409-1-50-4-M6 (50MM PCD WITH 4XM6 THREADS)



Thank you for choosing the Active Foam Gripper Kit.

This supplement provides you with information relating to the Active Foam Gripper Kit and is correct at the time of publishing.

**[www.active8robots.com](http://www.active8robots.com)**

**Active8 Robots (Active Robots Ltd)**

Unit 10A New Rock Industrial Estate,  
Chilcompton  
Radstock  
Somerset  
BA3 4JE  
United Kingdom  
+44 (0)1761 239 267



Registered: England & Wales  
Company number: 4693628  
VAT Reg: GB 810 7979 13

